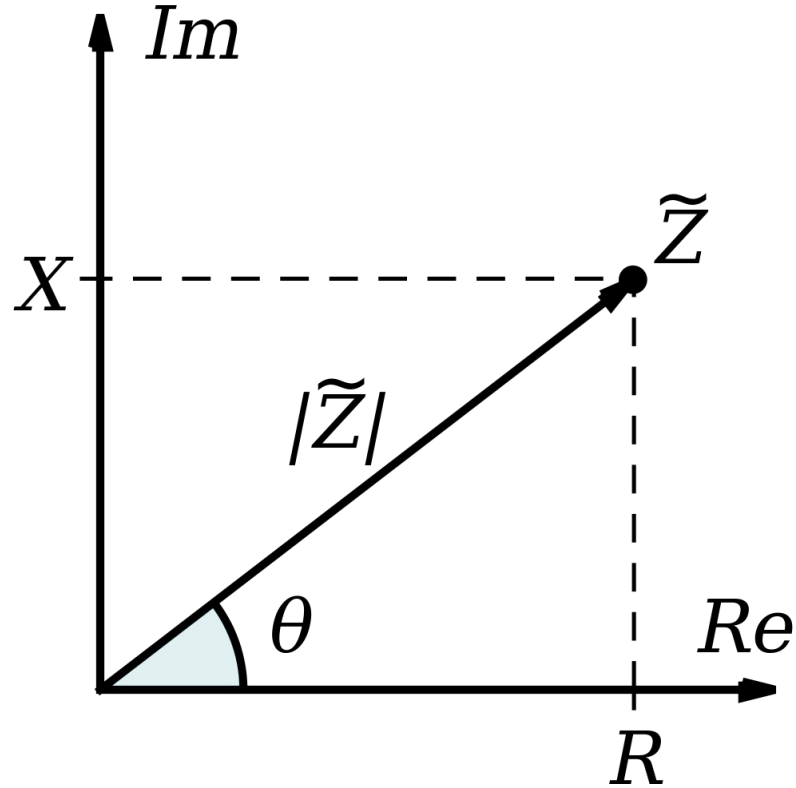
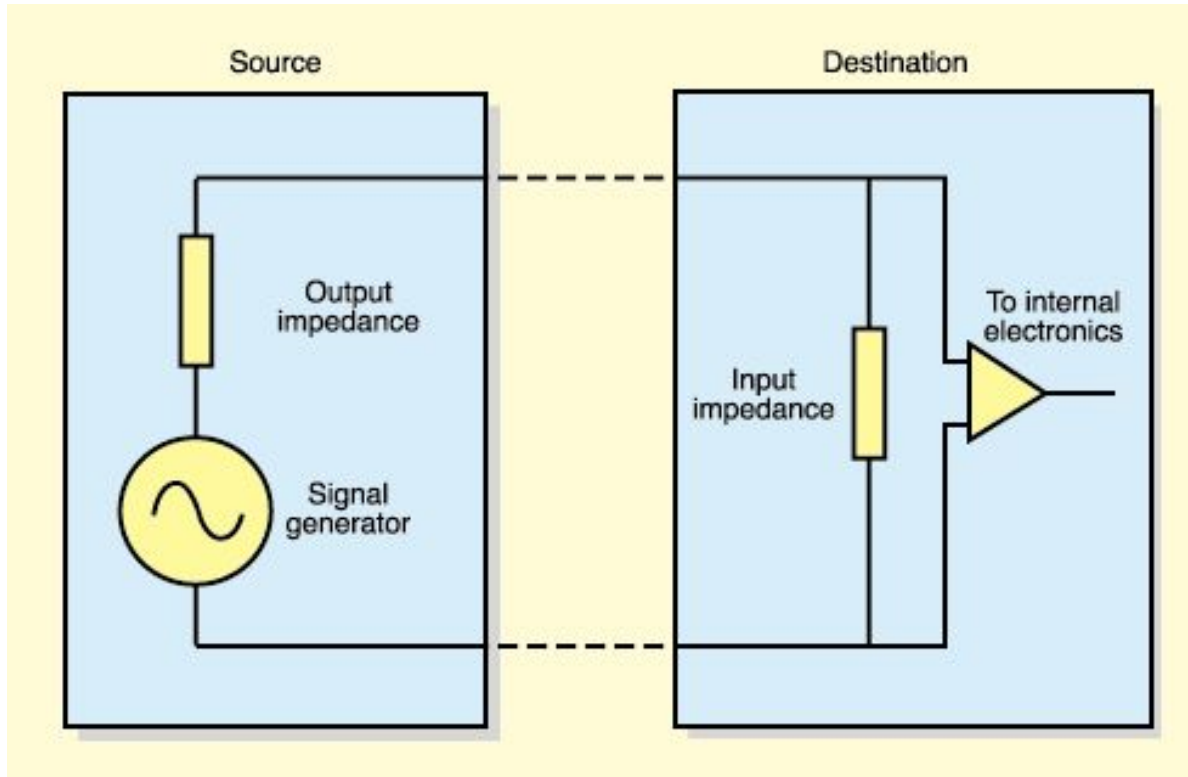


Impedance
John R. Leeman
GEARS 2023

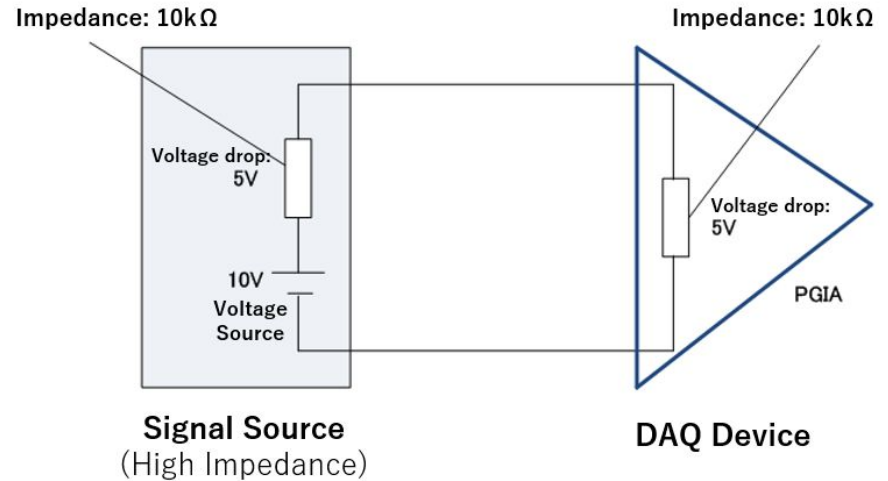
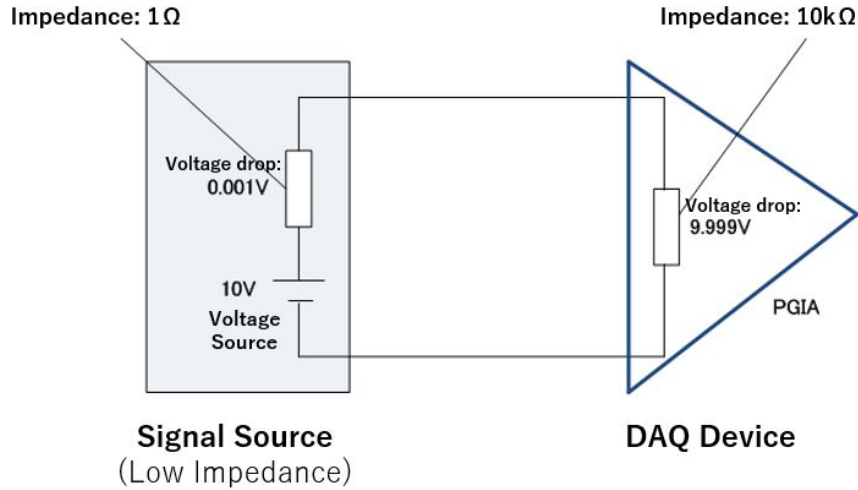
Impedance is really “AC resistance”



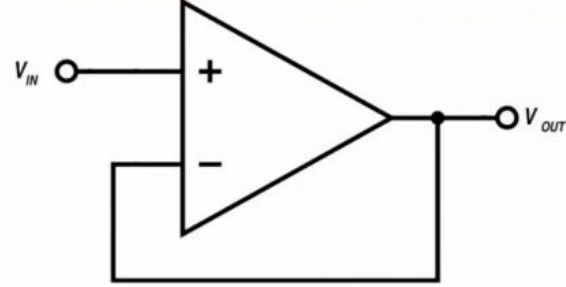
Input impedance tells us how much load a system puts on the DUT



Mismatched impedance can cause puzzling behavior



Often we need to buffer transducers (if we aren't using an amplifier that can buffer as well)



This can also be a factor when connecting two DAQ systems

